

About Us

普雷沃流体控制科技(芜湖)有限公司是由普雷沃阀业(上海)有限公司于2015年12月在芜湖高新技术开发区投资成立,注册资本3000万,是一家从事流体控制领域自控阀门的生产、研发、销售和服务为一体的高新技术企业;并整合上下游产业链,将全面涉及流体控制产业成套设备供应和系统技术服务。

普雷沃阀业(上海)有限公司通过多年产品应用的积累,研发设计的品牌产品满足当今流体控制产业的要求,通过创造优质的产品价值、提供个性化技术服务,赢得市场良好信誉。企业本着高质、高效、持续创新、诚实守信原则把打造成为世界级水平的控制阀自主品牌。

POV fluid control technology (Wuhu) co., LTD., is by responding to the valve industry (Shanghai) co., LTD in December 2015 in wuhu high and new technology development zone investment established, registered capital of 30 million. Is engaged in the field of fluid control automatic control valve production, research and development, sales and service as one of the high-tech enterprises; And integration of upstream and downstream industry chain, will be fully involved in fluid control industry supply complete sets of equipment and system technical services.

POV Valve industry (Shanghai) co., LTD., through the accumulation of years of application, research and development design brand products meet the requirements of today's fluid control industry, by creating high-quality products value, providing personalized service, won the good market reputation. Enterprises in line with high quality, high efficiency, continuous innovation, honest and trustworthy principle to build a world-class level of control valve of autonomous brand.

产品概述 Product description

POE 系列电动执行器用于控制 0°~90° 旋转的阀门,如蝶阀、球阀、风门、挡板阀、旋塞阀、百叶阀的开关和调节功能。广泛应用于石油、化工、水处理、船舶、造纸、电站、供热,轻工等各个行业中。它以 380V/220V/110V/DC24V 等交流电源为驱动电源,以 4~20mA、0~10V、1~5V 控制信号,可控制阀门开关和调节。实现自动化控制,最大输出扭矩达 2000N·m。

POE series electric actuator is used to control the 0°~90° rotary valve, such as butterfly valve, ball valve, gate valve, plug valve, damper, louver valve and so on, can be widely used in petroleum, chemical industry, water treatment, paper making, power station, ship, heating, light industry and other industries. It uses 380V/220V/110V/DC24V AC power supply for driving power supply, the 4~20mA current signal or 0~10V DC voltage signal as control signal, Can control the valve switch and adjust. to realize the automatic control, the maximum output torque of 2000N·M.



性能参数 Performance parameters

型号 model	POE-05	POE-10	POE-16	POE-25	POE-50	POE-100	POE-200
功能 function							
电源 Power	AC24V/110V/220V/230V/240V/380V 50/60HZ DC24V/12V ±10% 允许波动。其它电压可定制						
力矩 Torque	50N.M	100N.M	160N.M	250N.M	500N.M	1000N.M	2000N.M
时间 Time	30S	30S	30S	30S	30S	60S	100S
电机 Motor	15W/H	23W/H	23W/H	50W/H	90W/H	100W/H	100W/H
工作电流 Working Current	0.25A	0.6A	0.7A	0.8A	1.2A	1.3A	1.3A
重量 Weight	2.5KG	3.7KG	3.7KG	6.8KG	8.0KG	12KG	12KG
转动角度 Rotation angle	0° ~ 360°	0° ~90°					
环境温度 ambient temperature	-30°C~+60 °C						
耐电压值 Withstand voltage	1500VAC/ 1分钟 1500VAC/1 minutes						
防护等级 Protection class	IP67, 可定制 IP68 IP67, Customized IP68						
限位挡块 Position-limiting	机械式行程挡块、电子限位开关 Mechanical position-limiting, electric position-limiting.						
手动操作 Manual operation	附带手柄 With handle						
安装角度 Installation angle	任意角度 at any angle						
控制方式 Control mode	开关型: 有源灯指示、无源触点反馈、电阻反馈 (1KΩ 或 500Ω)、4-20mA 智能调节型: 输入输出 4-20mA 或 0-10V 或 1-5V Switch type: active indicator light, passive contact feedback, feedback resistance (1K or 500), 4-20mA Intelligent control: inputs and outputs of the 4-20mA or 0-10V or 1-5V						
可选附件 Optional accessories	除湿加热器、过扭矩保护器、故障信号反馈以及 7-8 秒开关时间 Dehumidifying heater, torque protector, fault signal feedback and switching time of 7-8 seconds						

技术参数 Technical Parameters

外壳 Shell	防水级别 Aluminium alloy Shell, Enclosure: IP67,NEMA4 and IP68	
电机电源 Power	AC24V/110V/220V/230V/240V/380V 50/60HZ DC24V/12V ± 10% 允许波动。其它电压可定制	
控制信号 Control signal	开关型: 有源灯指示、无源触点反馈、电阻反馈 (1KΩ 或 500Ω)、4-20mA 智能调节型: 输入输出 4-20mA 或 0-10V 或 1-5V	
电机 Motor	鼠笼异步电动机 Squirrel-cage Asynchronous Motor	
限位开关 Limit switch	2 X 开 / 关, SPDT,250V AC 10A	
辅助限位开关 Auxiliary Limit switch	2 X 开 / 关, SPDT,250V AC 10A	
行程 Stroke	90° ±10° (180° /270° 可选)	POE-05 0-360°
失效保护 / 操作温度 Failure protection/Operating temperature	内置过热保护, 开 120°C ±5°C / 关 97°C ±5°C Internal-placed thermal protection, On 120°C ±5°C /Off 97°C ±5°C	
指示器 Indicator	连续的位置指示 Continuous situation indication	
手动操作 Manul operation	机械手柄 Mechanical handle (Handwheel is optional)	
自锁装置 Self-locking device	蜗轮, 蜗杆机构提供自锁 Self-locking by worm and worm gear	
机械限位 Mechanical Limit	2 个外部调整螺栓 Two external adjustable bolts	
干燥器 Space heater	7-10W (110/220V AC) 防冷凝 7-10W (110/220V AC) Anti-condensation	
接线孔 Conduit entries	1 个 G3/4 1 Pieces G3/4	
环境温度 Ambient temperature	-20°C -- +70°C	
润滑 Lubrication	铝基润滑脂 (EP 型) Aluminium- base grease (EP- type)	

产品概述 Product description

DWQ 系列智能阀门定位器是以工业单片机为核心的智能信号采集控制系统,体积小。可安装在电动执行器接线盒内,也可导轨方式固定在外。能接收 PLC、DCS 系统输出的 4-20mA 信号,同时反馈信号。
 DWQ series intelligent valve positioner is intelligent signal acquisition and control system with industrial microcontroller as the core, small size. Can be installed in the electric actuator junction box, can also be fixed on the outer guide rail. Can receive PLC, 4-20mA signal output of the DCS system, at the same time, the feedback signal.



特点 Characteristics

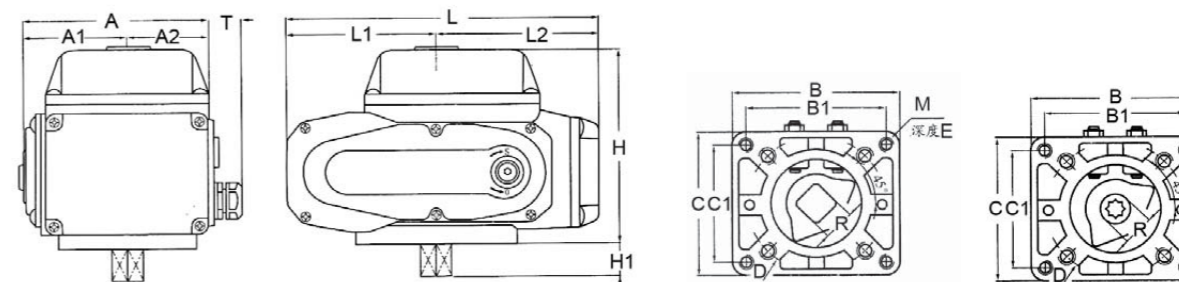
- ※ 提供一键恢复功能,解决现场用户意外破坏设置参数,无法恢复的难题。
- ※ Provides a key recovery function, solve the on-site users set parameters of accidental damage, never recover.
- ※ 角度自动标定,提供避让电气保护点功能,防止设备在零位和满位处振荡。
- ※ Angle automatic calibration, provide to avoid electrical protection function, prevent the equipment at zero and full position oscillation.
- ※ AC380V 三相电源,自动兼相、纠相、缺相报警功能。
- ※ AC380V three-phase power supply, automatic phase, phase correction, phase missing alarm function.
- ※ 可提供现场总线技术的型号,便于实现自动监控,减小布线,提高信息容量。
- ※ It can provide the field bus technology models, to facilitate the realization of automatic control, reduce wiring, improve information capacity.
- ※ 三级密码保护,防止标定数据或个性化设备数据被意外破坏。
- ※ Three levels of password protected to prevent data or personalization equipment calibration data is accidentally broken.

性能参数 Performance parameters

输入输出信号 Input output signal	4-20mA、0-10V、1-5V、MODBUS 现场总线
执行器反馈电位器信号 Actuator feedback potentiometer signal	500Ω-10KΩ 电位器
输入阻抗 Input impedance	180Ω
定位精度 Positioning accuracy	0.1% — 3.0%
动作模式 Action mode	正反动作模式、可设信号中断时,阀门全开、全关、停止 Reciprocal action mode, Can be set signal is interrupted, the valve is fully open, fully closed, stop.
温度保护 Temperature protection	超过 80℃ 停止调节 More than 80℃ stop adjustment
标定方式 Calibration mode	自动标定、手动标定 Automatic calibration, manual calibration
其它功能 Other functions	堵转、振荡判定功能;精度自调节功能、缓冲启动,防冲击;错误代码显示故障。 Locked rotor, oscillation decision function; precision self regulating function, buffer starting, anti shock; error code display fault.

详细请参考 DWQ 说明书。DWQ 智能模块定位器仅用调节型电动执行器。

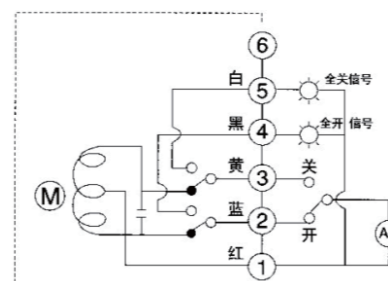
POE 外形尺寸图 POE outline dimensional drawing



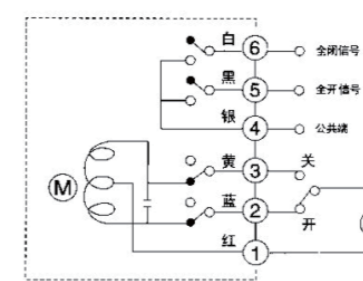
型号 Model	A	A1	A2	L	L1	L2	H	H1	T	免支架型 Free ISO5211						支架型 Stent								
										B	B1	C	C1	R	D	ISO5211	B	B1	C	C1	R	D	M	E
POE-05	104	59	45	157.5	82.5	75	112.6	12	26	80	68	72	60	11	70	F07	80	68	72	60	12	70	8-M6	12
POE-10	115	63	52	208	98	110	115	16	26	98	82	86	70	14	70	F07	98	82	86	70	15	70	8-M6	12
POE-16	115	63	52	208	98	110	115	16	26	98	82	86	70	14	70	F07	98	82	86	70	15	70	8-M6	12
POE-25	153	90	63	256	123	133	141	22	26	135	118	106	84	22	102	F10	135	118	106	84	23	102	8-M10	15
POE-50	153	90	63	256	123	133	141	22	26	135	118	106	84	22	102	F10	135	118	106	84	23	102	8-M10	15
POE-100	156	95	61	280	128	152	169	26	26	无免支架型 No free.						148	118	106	84	30	-	6-M12	15	
POE-200	156	95	61	280	128	152	169	26	26	无免支架型 No free.						148	118	106	84	30	-	6-M12	15	

POE 电气接线图 Electrical wiring diagram

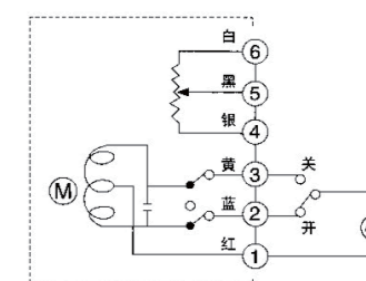
AC220V 开关型 带有源灯指示接线图
ON/OFF type with the source lamp wiring diagram



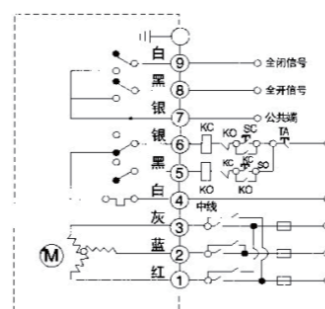
AC220V 开关型 带无源触点信号反馈接线图
ON/OFF type with passive contact signal feedback connection diagram



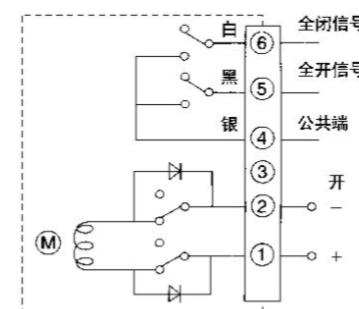
AC220V 开关型 带电位计电阻信号反馈接线图
ON/OFF type potentiometer resistance feedback signal wiring diagram



AC380V 三相交流接线图
3-phase AC380V wiring diagram



DC24V DC12V 开关型 带无源信号反馈接线图
ON/OFF type with passive contact signal feedback connection diagram



AC220V 或 DC24V 调节型 输入输出 4-20mA 接线图
Regulation of type 4-20mA input and output wiring diagram

